

3. Go back one page (press the Page Left (<) button).
4. Select MDS Network.
5. Select Network Channel.
6. Set to the network channel to Channel 1 and press OK.
7. Select 48 Track Mode and choose Slave 25-48, press OK.
8. Select Link Options, select Locator, turn it ON, and press OK. Do the same for Prefs and any other Link Options you wish to activate.
9. Press the Page Left (<) button to go back one page, then press the Page Right (>) button to go up a page in the MDS network menu.
10. Select Update, the MDR should tell you that it is "Updating MDS network to Local Values..."
11. Press the System button to exit the System Menu.
12. Press the Sync Button.
13. Select Sample Clock and set it to Word Clock (BNC), press OK.
14. Select Sample Rate, set it to the same rate you selected for the Master (44.1 or 48 kHz), press OK.
15. Select Time Code Source.
16. Set this to SMPTE and press OK.
17. Press the Sync button to exit.
18. Directly under the REC button for track 24, press the T-Code Chase button.
19. Take a swig of coffee and get to work. You've got some 48 track recording to do.

OTHER NOTES

1. In order to use the Remote 48 with HDRs, make sure you have upgraded the OS to the current OS. Version 1.0 does not contain support for the Remote 48. If you boot the HDR V1.0 OS with the Remote 48 attached, the remote will just sit there and say, "waiting for HDR..." ad infinitum. Visit www.mackie.com to download the most recent OS.
2. If you plan to set up the HDR's on a local network for FTP with another PC or MAC, use an Ethernet hub and connect the decks' Ethernet ports with regular straight-wired Cat 5 Ethernet cables. Crossover cables should only be used when directly connecting a network card to another network card without a hub. Refer to the Technical Reference Guide for further instructions on networking.
3. A Remote 24 can also be used in conjunction with the Remote 48 in this setup. Simply connect the Remote 24 with the supplied remote cable (standard Ethernet Cat 5) to the Thru jack on the back panel of the Remote 48.

USING THE REMOTE 48 WITH TWO HDRS OR MDRS

CABLING AND HOOKUP

Here are the instructions connecting two Mackie HDRs or MDRs and a Remote 48. These instructions only cover the necessary settings for networking two recorders and a Remote. Refer to the Quick Start Guide for further instructions on audio, MIDI, Word Sync options, etc. especially if you are using a digital console or an external word clock source.

1. Connect the Remote 48 with the supplied remote cable (Standard Cat 5 Ethernet RJ-45) to the master deck's Remote Port (not the Ethernet port!).
2. Connect the master and slave decks' Ethernet ports with a Cat 5 Ethernet Crossover cable (not supplied).
3. Connect a TRS cable from the SMPTE I/O jack on the master deck to the slave's SMPTE I/O jack.
4. Connect a 75 Ohm BNC Word Clock Cable from the Sync Out of the master deck to the Sync Input of the slave deck.
5. Engage the 75 Ohm Termination switch directly above the Sync Input on the slave deck.
6. Turn on the Remote 48, then the master and slave decks.

SETTINGS FOR MASTER DECK

Via HDR Graphic User Interface...

1. Open the Setup Window from the Windows menu and click the Network page icon.
2. The default IP address is the same for all machines (10.10.28.20). You can leave the master deck's address this way, but the slave IP address must be different. The Remote 48 won't recognize the slave deck if both addresses are identical!
3. Under Network Channel: choose Channel 1.
4. Under 48 Track Mode: choose Master 1-24.
5. Under Link Options, click the boxes to checkmark Auto Locator, Preferences, and any other options you wish to link
6. Click the Update button.
7. Click the Sync page icon.
8. Set Sample Clock to Internal.
9. Set Sample Rate to desired rate (44.1 or 48 kHz) and make sure this matches the sample rate of the slave deck and other digitally connected devices.
10. Set SMPTE Out Level to -10.
11. Check the Generate SMPTE box.

Via the HDR or MDR front panel...

1. From the master deck front panel press the System button (above STOP) and select Setup TCP.
2. Select IP. The default IP address is the same for all machines (10.10.28.20). You can leave the master deck's address this way, but the slave IP address must be different. The Remote 48 won't recognize the slave deck if both addresses are identical! Select OK (blinking select button) to exit.
3. Go back one page (press the Page Left (<) button).

4. Select MDS Network.
5. Select Network Channel.
6. Set to the network channel to Channel 1 and press OK.
7. Select 48 Track Mode and choose Master 1-24, press OK.
8. Select Link Options, select Locator, turn it ON, and press OK. Do the same for Prefs and any other Link Options you wish to activate.
9. Press the Page Left (<) button to go back one page, then press the Page Right (>) button to go up a page in the MDS network menu.
10. Select Update, the recorder should tell you that it is "Updating MDS network to Local Values..."
11. Press the System button to exit the System Menu.
12. Press the Sync Button (above PLAY).
13. Select Sample Clock, set it to Internal and press OK.
14. Select Sample Rate, set it to desired rate (44.1 or 48 kHz) and make sure this matches the same sample rate as the slave deck and other digitally connected devices, press OK.
15. Go to Sync Menu page 3 by pressing the Page Right (>) button twice (page 2 in the HDR's menu).
16. Select Generate SMPTE. Turn this ON and press OK
17. Exit the menu by pressing the Sync button.

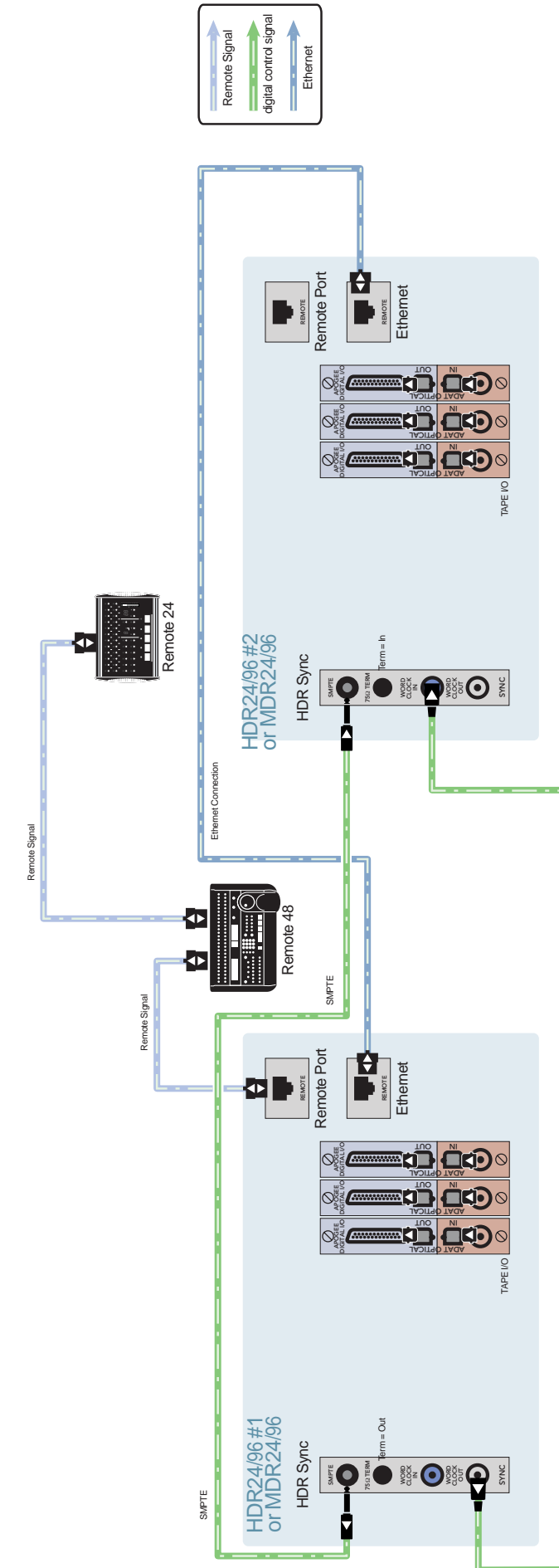
SETTINGS FOR SLAVE DECK

Via HDR Graphic User Interface...

1. Open the Setup Window from the Windows menu, click the Network page icon
2. Select IP. The slave IP address must be different than the master's. If the master is still set to default, change this address to 10.10.28.21, for instance.
3. Under Network Channel: choose Channel 1.
4. Under 48 Track Mode: choose Slave 25-48.
5. Under Link Options, click the boxes to checkmark Auto Locator, Preferences and any other options you wish to link.
6. Click the Update button.
7. Click the Sync page icon.
8. Set Sample Clock to Word Clock (BNC)
9. Set Sample Rate to the same rate as selected for the Master Deck (44.1 or 48 kHz)
10. Set Time Code Source to SMPTE
11. Click the tools tab at the top of the screen (if you're currently in Meter Mode) and click the chase TC button just to the left of the transport controls.
12. Take a swig of coffee and get to work. You've got some 48 track recording to do!

Via the HDR or MDR front panel...

1. From the master deck front panel press the System button (above STOP) and select Setup TCP.
2. Select IP. Use the first two select buttons to position the cursor, and press + or - (above Record button) to change that number. If the master is still set to default, change this address to 10.10.28.21, for instance. Select OK (blinking select button) to exit.



Connecting a Remote 48 and a Remote 24 to two HDRs.