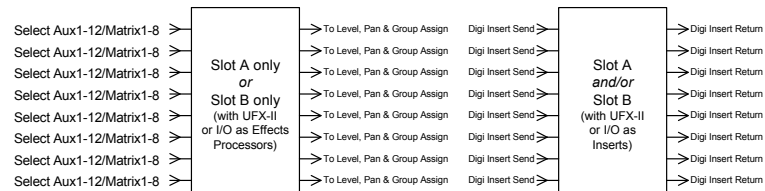
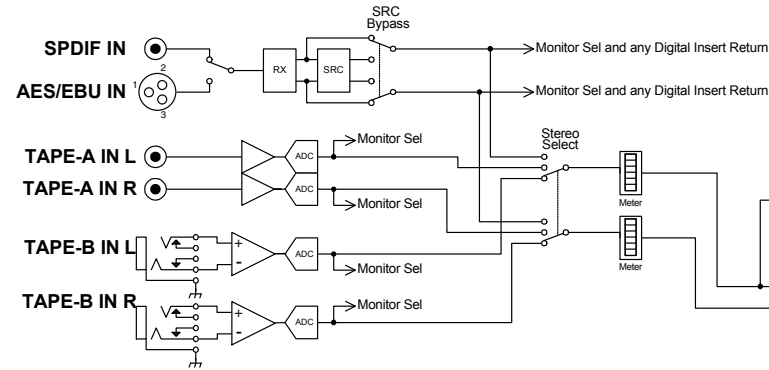
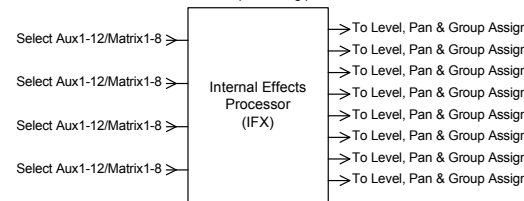
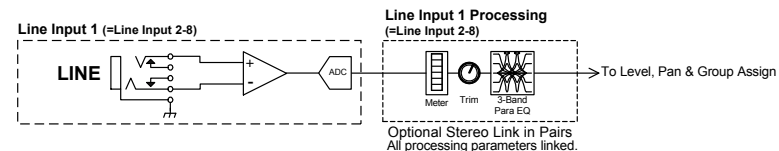
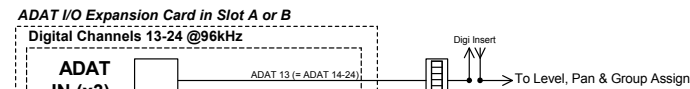
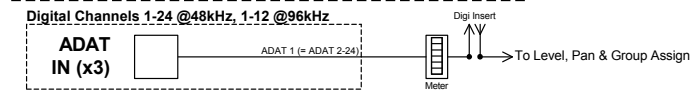
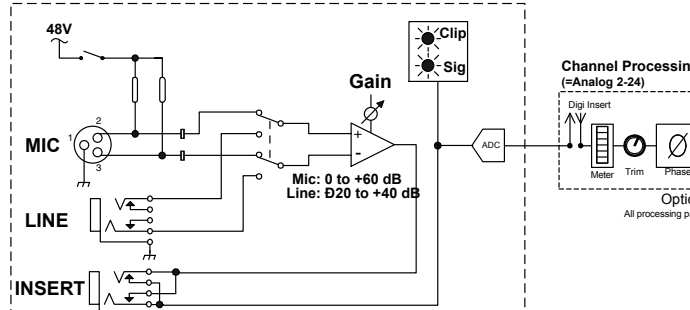
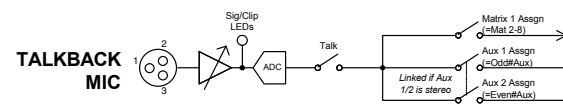


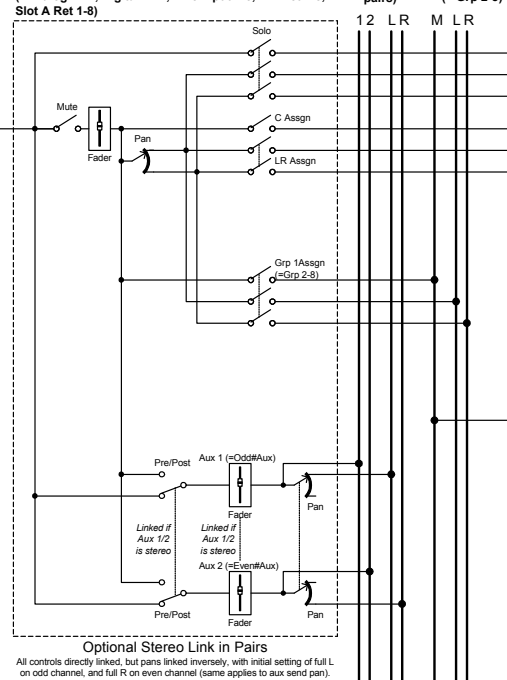
**Analog Channels 1-24**



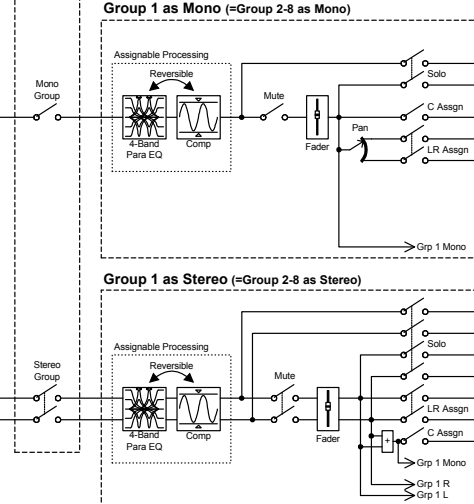
Note: There are only 2 expansion Slots: Slot A and Slot B. UP to 2 network cards installed (max 1 as network, max 1 as console linker), maximum of 1 UFX-II card or I/O card configured for effects returns, maximum of 1 ADAT card installed as 96kHz digital channels 13-24. Up to 2 UFX-II or I/O cards configured for inserts.



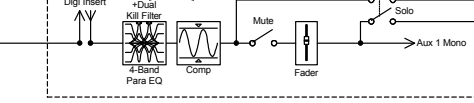
**Channel 1 Level, Pan & Group Assign**  
(=Analog 1-24, Digital 1-24, Line input 1-8, IFX Ret 1-8, Slot A Ret 1-8)



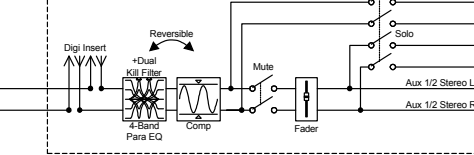
**Grp 1 Type (=Grp 2-8)**



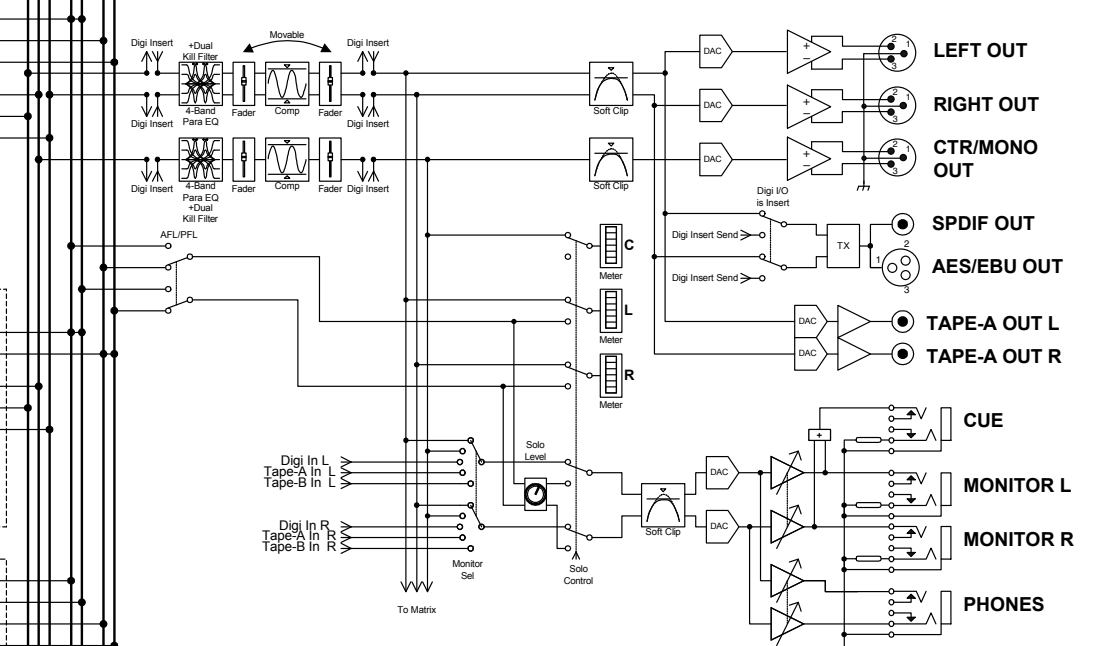
**Mono Aux 1 Processing (=Aux 2-8)**



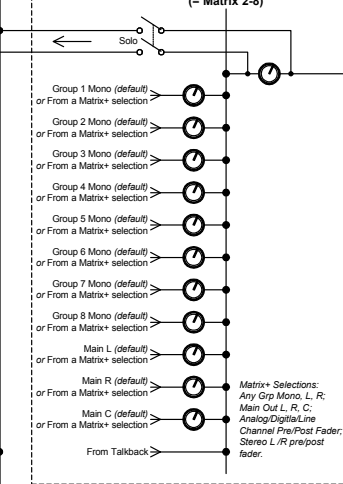
**Stereo Aux 1/2 Processing (=other Aux pairs as stereo)**



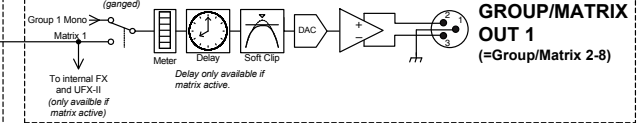
**Main Out**  
PFL Solo  
AFL Solo



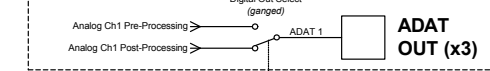
**Matrix Channel 1 (=Matrix 2-8)**



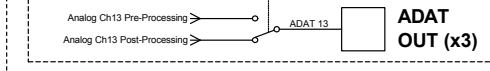
**Group/Matrix Out 1 (=Group/Matrix Out 2-8)**



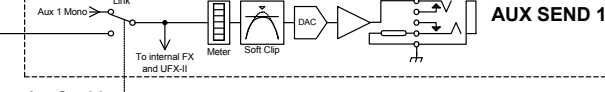
**Digital Channels 1-24 @48kHz, 1-12 @96kHz**



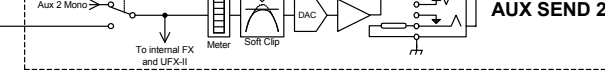
**ADAT I/O Expansion Card in Slot A or B**



**Aux Send 1 (=Odd#Aux Send 3,5,7,9,11)**



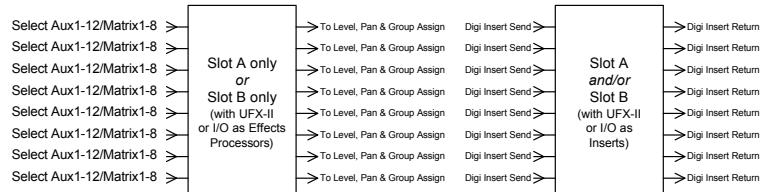
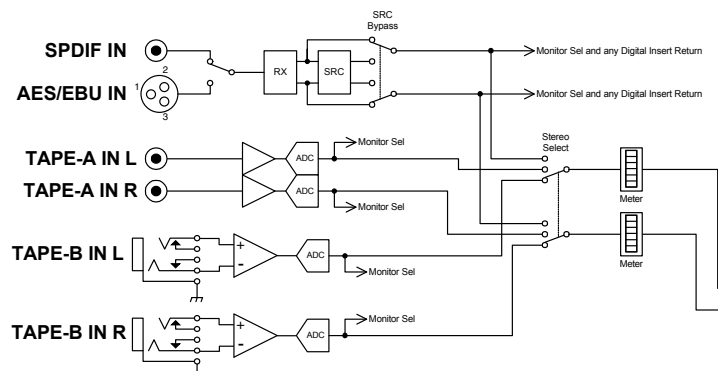
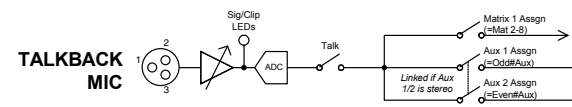
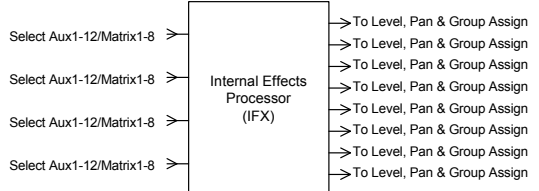
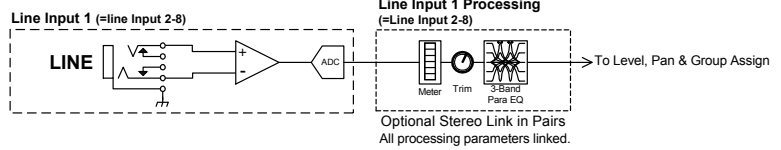
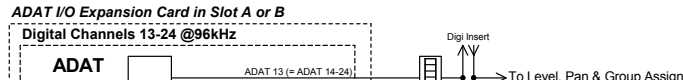
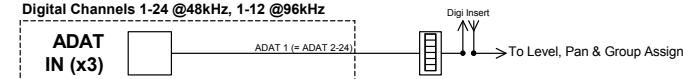
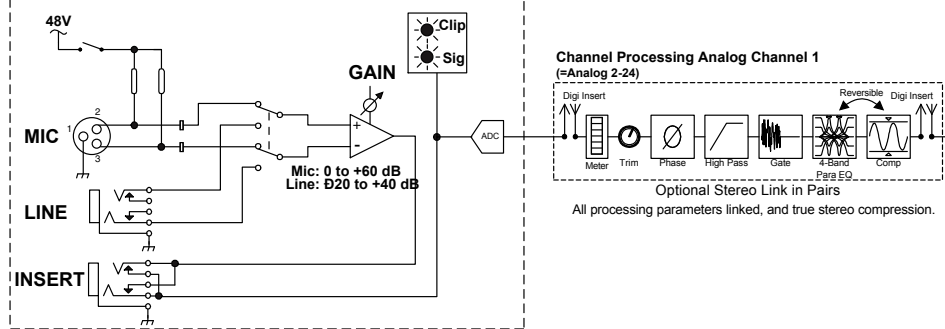
**Aux Send 2 (=Even#Aux Send 4,6,8,10,12)**



MACKIE  
TT24: STEREO+MONO MODE  
BLOCK DIAGRAM  
(#070604\_GJ/DF)

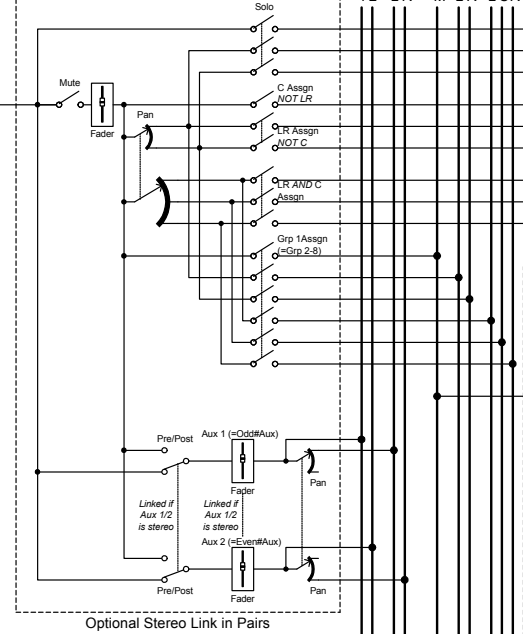
MACKIE TT24 BLOCK DIAGRAM  
COPYRIGHT 2004, LOUD TECHNOLOGIES INC.  
ALL RIGHTS RESERVED

**Analog Channels 1-24**

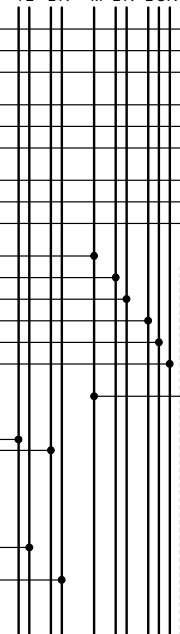


Note: There are only 2 expansion Slots: Slot A and Slot B. UP to 2 network cards installed (max 1 as network, max 1 as console linker), maximum of 1 UFX-II card or I/O card configured for effects returns, maximum of 1 ADAT card installed as 96kHz digital channels 13-24. Up to 2 UFX-II or I/O cards configured for inserts.

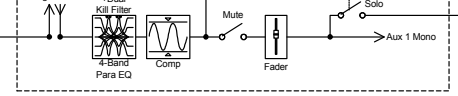
**Channel 1 Level, Pan & Group Assign**  
(=Analog 1-24, Digital 1-24, Line Input 1-8, IFX Ret 1-8, Slot A Ret 1-8)



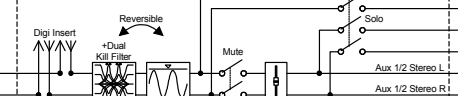
**Aux 1/2**  
(= Aux 3-12 in pairs)



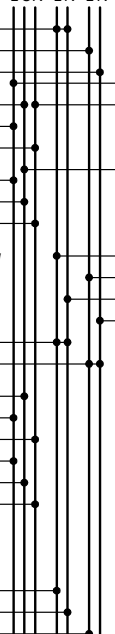
**Mono Aux 1 Processing** (=Aux 2-8)



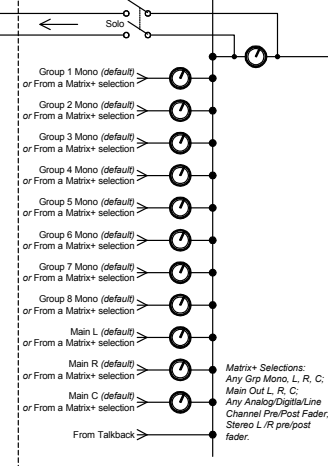
**Stereo Aux 1/2 Processing** (=other Aux pairs as stereo)



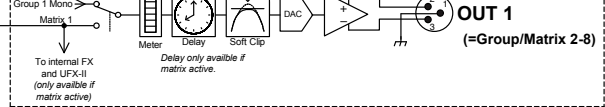
**Main Out**  
PFL Solo  
AFL Solo



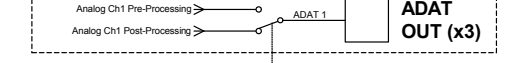
**Matrix Channel 1** (=Matrix 2-8)



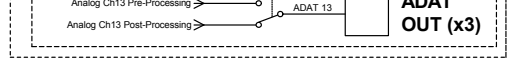
**Group/Matrix Out 1** (=Group/Matrix Out 2-8)



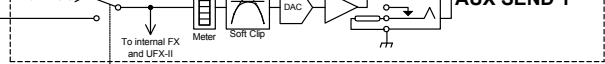
**Digital Channels 1-24 @48kHz, 1-12 @96kHz**



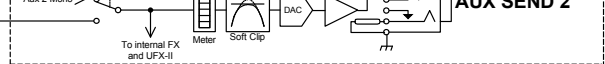
**ADAT I/O Expansion Card in Slot A or B**



**Aux Send 1** (=Odd#Aux Send 3,5,7,9,11)



**Aux Send 2** (=Even#Aux Send 4,6,8,10,12)



MACKIE  
TT24: LCR MODE  
BLOCK DIAGRAM  
(#070604\_GJ/DF)

MACKIE TT24 BLOCK DIAGRAM  
COPYRIGHT 2004, LOUD TECHNOLOGIES INC.  
ALL RIGHTS RESERVED