

CR-1604 ADD-ONS

XLR10 • MIXERMIXER • ROTAPOD • REMOTE FADER

Unlike any other 16-channel compact mixer, the CR-1604 is part of a mixing system. The enhancements presented here give you unprecedented flexibility in tailoring a mixer to a job. Conversely, you need only specify what is required for a project without adding costs for extraneous features that won't be used. Then, at any time in the future, the basic CR-1604 can be expanded, as the users' needs change.

XLR10 EXPANDER



The XLR10 adds ten additional discrete, studio-grade phantom-powered mic preamps to the CR-1604 16-channel Mic/Line Mixer for a total of 16 mic inputs.

The XLR10 module mounts directly to the bottom of the CR-1604 Input/Output Pod and becomes an integral part of the mixer itself. Installation requires just a few minutes and a screwdriver. Electronic connections are via an integral ribbon cable connector already inside the CR-1604.

The XLR10's preamps use the same exceptionally high-



XLR10 docking to CR-1604

quality design that has distinguished the CR-1604 mixer. In creating both units, we have developed a rigorous definition of what a Mic Preamp should be, based on the technical specifications that PA, permanent install and recording studio applications require of larger boards.

Instead of simple, two-transistor op-amp combinations found in most other small mixers, the XLR10 preamp uses four conjugate-

pair transistors with large-emitter geometry to reduce distortion at all levels and deliver extremely low noise (our published specs of -129.5 dBm E.I.N. @150 ohms, bandwidth of 10Hz to 300kHz and 0.001% distortion are real and verifiable).



XLR10 attached to CR-1604



RELATED PRODUCTS

CR-1604 MIC/LINE MIXER

MORE INFORMATION

CR-1604 ADD-ON ARCHITECTS' & ENGINEERS' SPECS
"IN YOUR FACE"
ALL-PRODUCT BROCHURE

FEATURES

XLR10

- Adds 10 more high quality mic preamps to the CR-1604
- Individual channel trim controls
- Phantom power
- Forms single structural unit with mixer

MixerMixer

- Combines all outputs of 2 or 3 CR-1604s
- No loss of inputs
- Internal power supply

Remote Fader (add-on to MixerMixer)

- Controls master output of up to 3 CR-1604s
 - Precision 100mm design
- #### RotoPod
- Rotates CR-1604 input/output pod so that jacks are on same plane as controls

MACKIE®

CR-1604 ADD-ONS

At any gain, both the XLR10 and CR-1604 mic preamps deliver the additional headroom and low noise floor that set professional mixers apart from semi-pro products: You can handle acoustical as well as electronic events — from a podium-pounding orator to a timid choir hundreds of feet away across a huge auditorium — with sonic fidelity and without input overload.

When the XLR10 is combined with the CR-1604, the added mic inputs can be used by themselves or, if you're starved for inputs, both mic and line inputs can be used simultaneously, effectively adding 16 more total inputs.

The XLR10's mic preamps have +48V phantom power with switch. The XLR10 may be added to the CR-1604 in any of the mixer's possible configurations including jacks to top, jacks to front (with the RotoPod bracket set) or jacks to back.

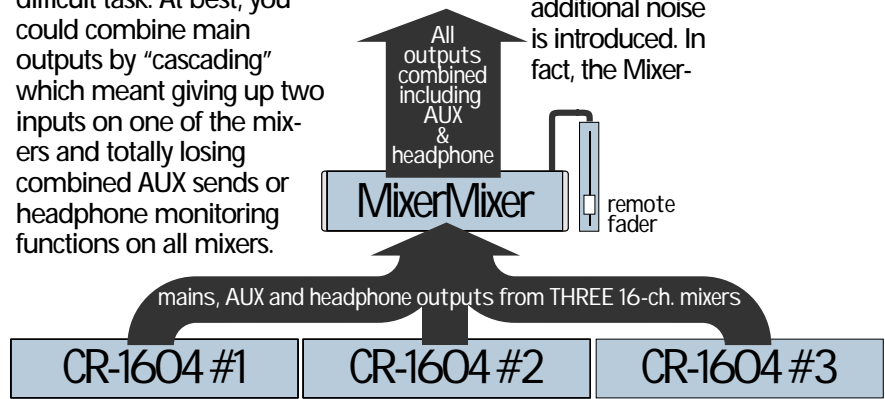
MIXERMIXER

The MixerMixer is a combiner that mixes the outputs from up to three mixers so they can be used as if they were one large mixer.

Previously, combining the outputs of two or more mixers has always been a difficult task. At best, you could combine main outputs by "cascading" which meant giving up two inputs on one of the mixers and totally losing combined AUX sends or headphone monitoring functions on all mixers.

inputs, 12 stereo effects returns, 24 direct outs and 3 stereo or 6 mono sub-masters! By adding Mackie's XLR10 Mic Input Expanders, mic inputs can be added as required in groups of ten.

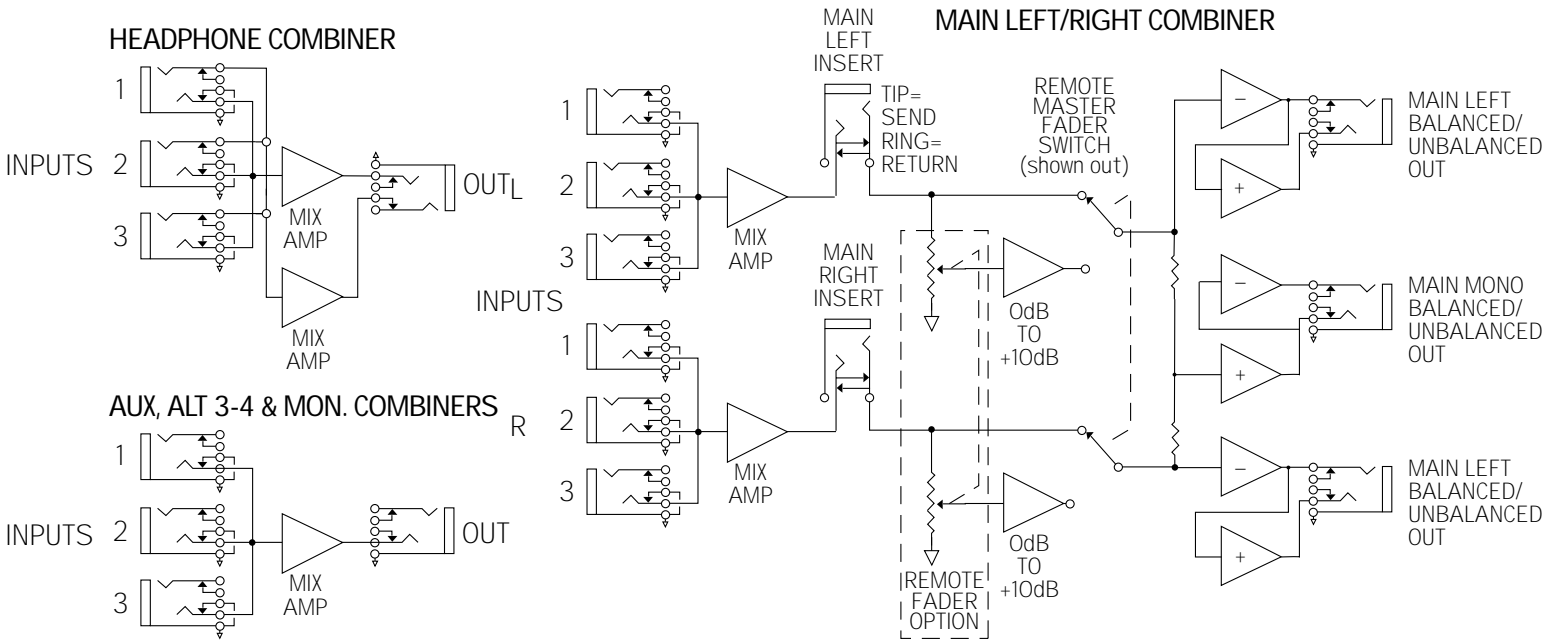
Since all combining is at unity gain, no level or headroom is lost — and no additional noise is introduced. In fact, the Mixer-



The MixerMixer solves this problem, combining all outputs from up to three mixers and providing a new set of combined outputs. For example, three Mackie Designs CR-1604's and a MixerMixer provide 48 line inputs (or 30 line inputs and 18 mic

Mixer's noise level is so low that it can be used for both -10dB and +4dB levels.

The MixerMixer is designed for tabletop use or, because it's just 1.65" thick, can easily be bolted to the inside surface of a rack.





MixerMixer shown with Remote Fader

CordPack for the MixerMixer

Connecting all the outputs and AUXes of three 16-channel mixers requires a lot of patch cords. So we offer an economical solution: A package of 36 mono and 3 stereo cables, which provides all patch cords needed to connect up to three CR-1604's to a MixerMixer. These are high quality, low-capacitance cables with molded construction, plated contact surfaces, flexible insulation and different-colored ends to make identifying inputs and outputs easy.



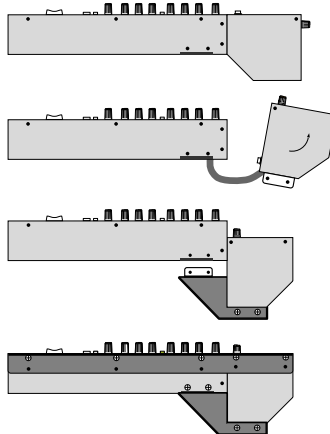
Contents of Mackie Cordpack

REMOTE FADER

By adding Mackie's optional Remote Fader, the user can control the main output level of all mixers that are plugged into the MixerMixer. With the Remote Fader, existing master output sliders become sub-masters. Pan controls assign each channel to the appropriate output sub-master, then the Fader sets overall output level.

The MixerMixer's optional Remote Fader comes with its own 6-ft DIN-plug-terminated connecting cable. The Fader can be bolted to the side of a CR-1604, handheld, set on a flat surface or semi-permanently mounted with double-backed or hook-and-loop tape (not included).

The Remote Fader is activated by a switch set into the MixerMixer's front panel, right alongside of the DIN plug hole. It's recessed for security, so the user must deliberately insert a pencil (or non-conductive pen) through the small hole to depress the switch. MixerMixers are shipped from the factory with the switch in the "remote-off" position.



RotoPod installation

ROTOPOD BRACKET

The Mackie Designs RotoPod is a steel bracket/rack combination that supports the CR-1604 16-channel Mic/Line Mixer's jack panel so the connectors can be on the same plane as the main controls.

Adding the RotoPod converts the CR-1604 from a 7-rack-space mixer with



CR-1604 in RotoPod configuration

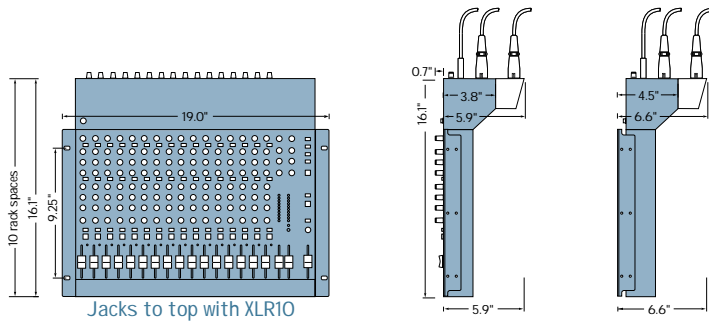
rear-facing jack panel to a 10-rack-space configuration with front-facing jack panel.

Actually, the mixer in this form is designed to take up slightly less than 10 rack spaces, allowing room for cables to pass through to the back of the rack (see Dimensions diagrams on next page).

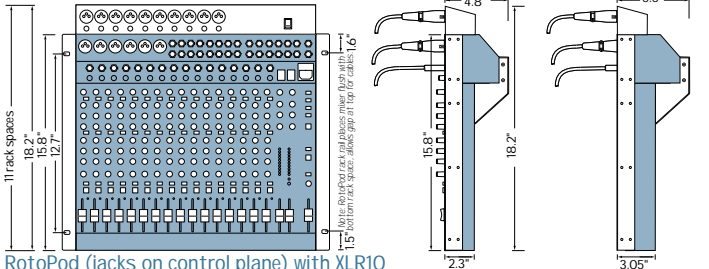
The rack ears provided in the RotoPod kit are designed to provide either flush mounting, or recessed mounting for protection of controls and addition of a security cover.

All necessary hardware is provided. The conversion takes a matter of minutes and entails no electrical connections.

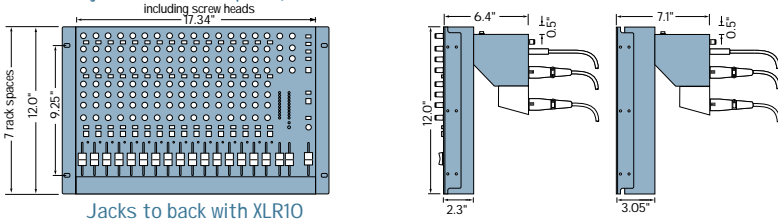
The XLR10 Mic Preamp Expander module may also be attached when the RotoPod conversion kit has been installed.



Jacks to top with XLR10

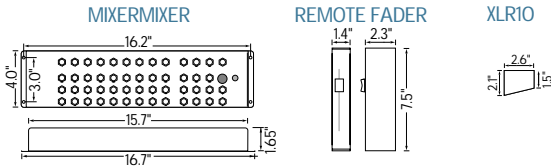


RotoPod (jacks on control plane) with XLR10



Jacks to back with XLR10

Note: Dimensional drawings are shown with optional XLR10 and RotoPod assembly.



SPECIFICATIONS

XLR10

Frequency Response:
20Hz-20kHz \pm 1dB

Distortion:
less than 0.025%, 20-20kHz

Noise:
Mic E.I.N.
-129.0 dBm, 150-ohm source
20Hz-20kHz

Max Gain:
48dB

Max Input Level:
+14dB

Weight:
5 lbs.

MixerMixer

Frequency Response:
20Hz-40kHz +0dB -1dB

Distortion:
0.025% 20Hz to 20kHz

Hum & Noise:
-94dB (ref. +4dB operating
level 20kHz NBW)

Dynamic Range:
112dB

Crosstalk:
-84dB @1kHz

Power:
5 watts

Shipping Weight:
5 lbs.

Remote Fader

Shipping Weight:
2 lbs.

MACKIE®

MACKIE DESIGNS INC. • 16220 WOOD-RED RD. N.E.
WOODINVILLE • WA • USA • PHONE TOLLFREE 800/258-6883
FAX 425/487-4337 • OUTSIDE THE U.S., PHONE 425/487-4333

Mackie Designs Inc. is engaged in a continuous program of product evaluation and improvement and reserves the right to change product specifications at any time without notice. ©1995-1998 Mackie Designs Inc. All rights reserved. "Mackie." is a registered trademark of Mackie Designs Inc. Printed in USA. 1604AO2951.1