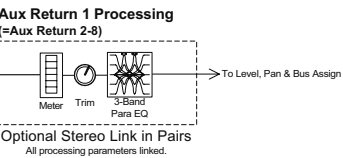
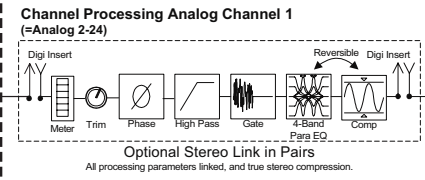
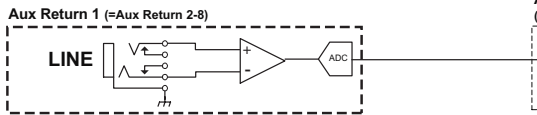
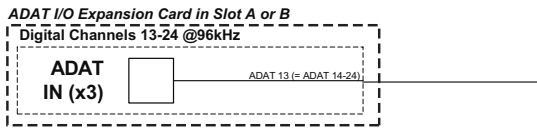
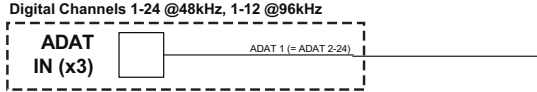
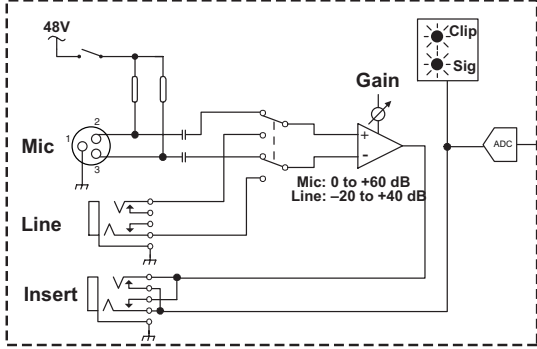
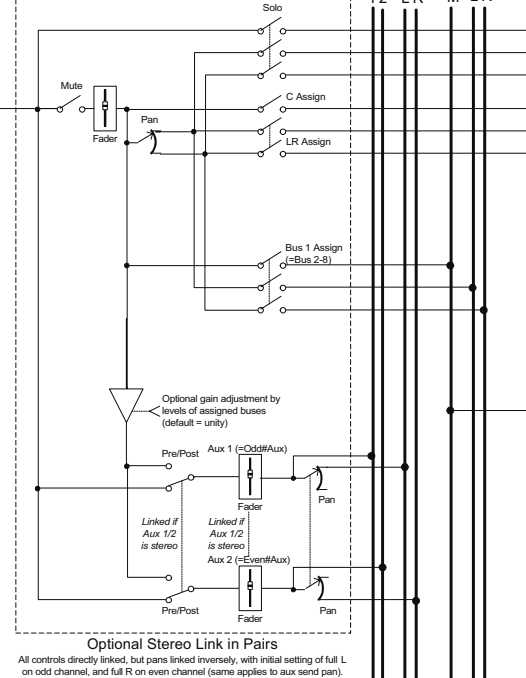


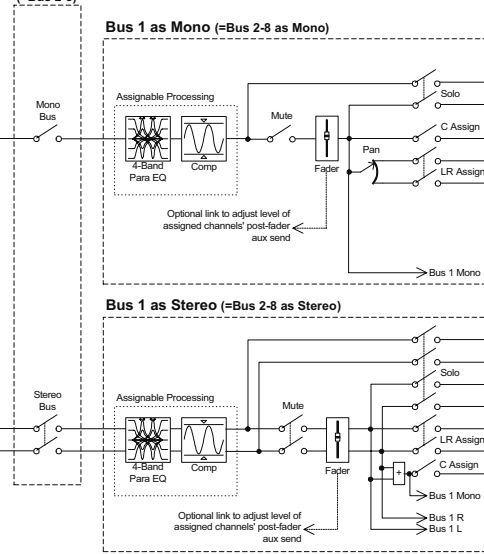
Analog Channels 1-24



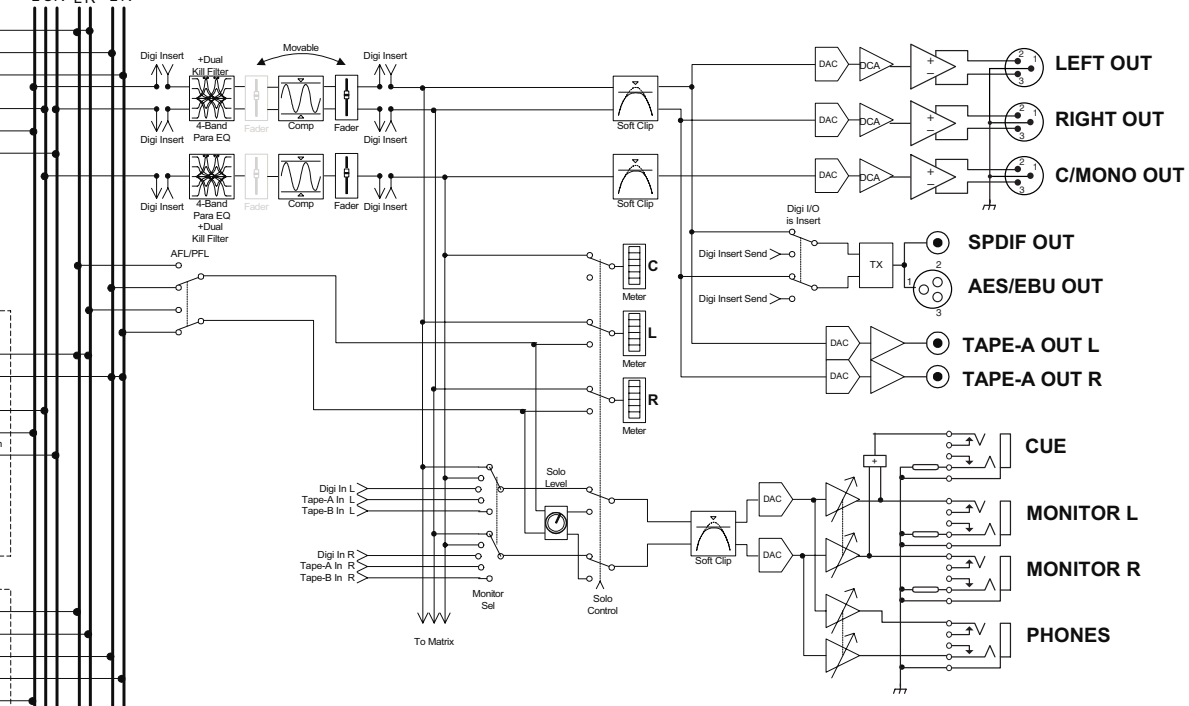
Channel 1 Level, Pan & Bus Assign (=Analog 1-24, Digital 1-24, IFX Ret 1-8, Aux Ret 1-8, Slot A Ret 1-8)



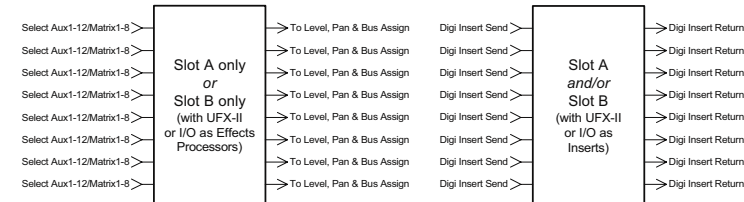
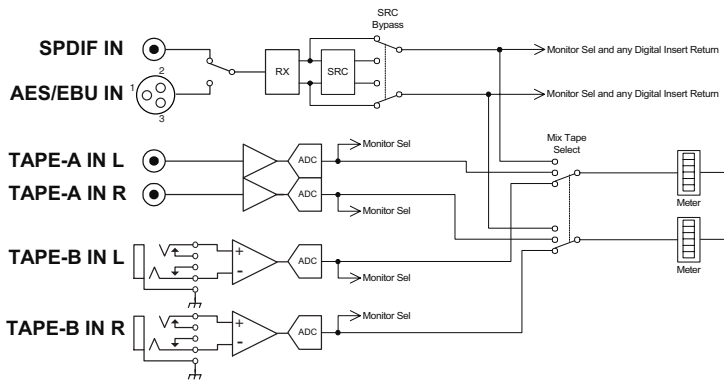
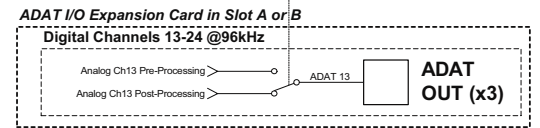
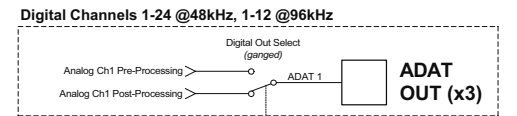
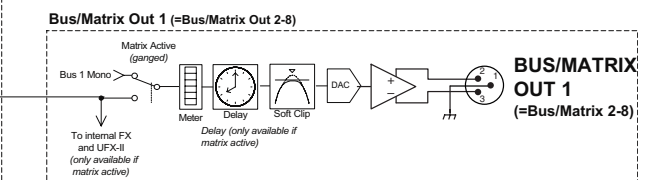
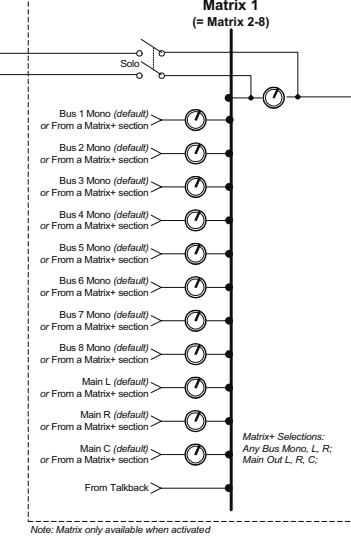
Bus 1 Type (=Bus 2-8)



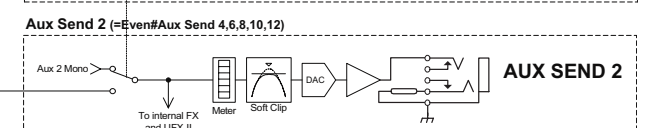
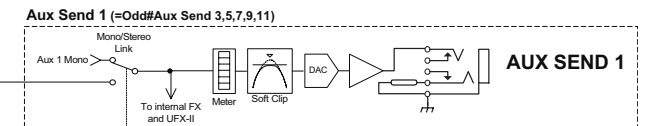
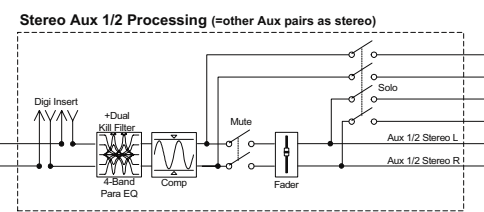
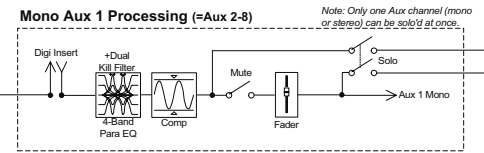
Main Out PFL Solo AFL Solo



Matrix Channel 1 (=Matrix 2-8)



24 Signals — Selectable (e.g., Analog 1-24 pre- or post-processing, Digital 1-24 outputs, Digi inserts, etc.)



Note: There are only 2 expansion Slots: Slot A and Slot B. Up to 2 network cards installed (max 1 as network, max 1 as console linker), maximum of 1 UFX-II card or I/O card configured for effects returns, maximum of 1 ADAT card installed as 96kHz digital channels 13-24. Up to 2 UFX-II or I/O cards configured for inserts.

MACKIE TT24: STEREO+MONO MODE BLOCK DIAGRAM (#041504\_GJ/DF)

